



4.3L INDUSTRIAL MOBILE

132.2 hp / 240.6 lb-ft (LPG)

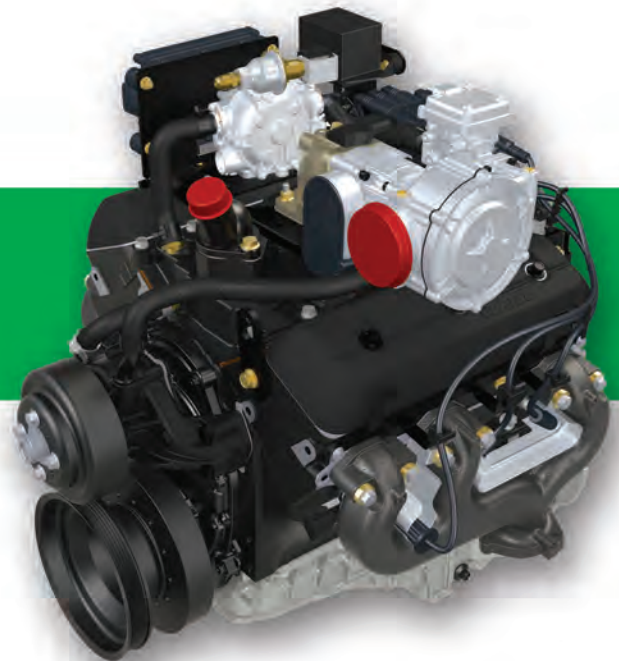
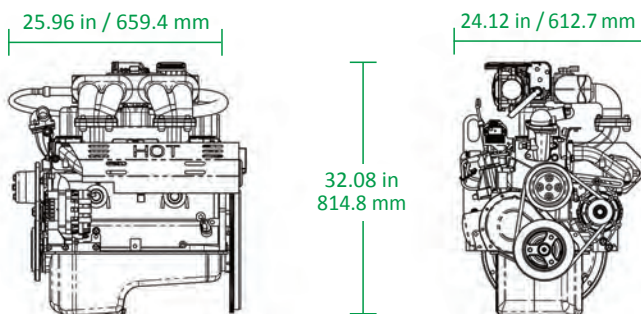
PSI's Industrial 4.3-liter engine is emission certified with the U.S. EPA and California ARB for off-road mobile use with gasoline, LPG and NG fuels. This fuel-flexible power unit is a fully integrated drop-in solution that delivers uncompromised power performance and maximum fuel efficiency.

Superior engine performance is driven by an ECU that integrates and coordinates all critical functions including: governor, variable ignition timing, air-fuel ratio control, knock suppression and engine protection. All PSI engines feature the same fuel systems and controls, simplifying application development and support.

PSI has been a leader in the design, engineering and manufacture of efficient, high-performance power systems, providing integrated turnkey solutions to top global OEMs for nearly 30 years. Our products are used worldwide in power generators, forklifts, aerial lifts and industrial sweepers, as well as in oil and gas, aircraft ground support, agricultural and construction equipment.

GENERAL DATA

- 1) Fuel options: LPG, gasoline, bi-fuel
- 2) Fuel and emission control system that meets Tier II EPA/CARB emission regulations for LSI engines
- 3) SAE flywheel housings and flywheels
- 4) Auxiliary drive pulleys available
- 5) Cooling fans
- 6) Radiator
- 7) Electronic governors
- 8) Remote oil filter
- 9) Auxiliary oil drain
- 10) 95A alternator option / 70A alternator standard

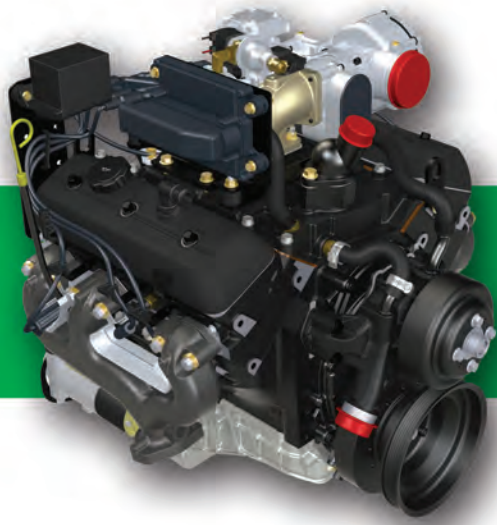


FEATURES

- Roller valve lifters for reduced friction and improved fuel economy
- Nodular iron crankshaft has undercut & rolled fillets for durability
- Counter-rotating balance shaft for smooth performance and low noise
- Engine comes completely component painted
- Composite rocker arm cover and front cover for noise reduction
- World-class engine sealing system for superior leak protection
- High Energy Ignition (HEI) distributor and coil standard
- Common rear face to GM Powertrain industrial engines for easy hookup with housing
- Cast aluminum oil pan for increased strength & noise reduction
- Emission Certified with U.S. EPA and CARB – Industrial Mobile

PSI 4.3-LITER ENGINE DATA

Cylinders	6
Induction system	Naturally aspirated
Combustion system	Spark-ignited
Cooling system	Water-cooled
Displacement	262 cid (4.294 L)
Compression ratio	9.4:1
Bore & Stroke	4.00 in x 3.48 in (101.6 mm x 88.0 mm)
Peak Power	132.2 hp @3000 rpm
Peak Torque	240.6 lb-ft (326.2 N-m) @2400 rpm
Fuel Type	Propane
Direction of rotation	Counter-clockwise viewed on flywheel
Dimensions – Length	25.96 in (659.4 mm)
Width	24.12 in (612.7 mm)
Height	32.08 in (814.8 mm)
Dry Weight	430 lb (195 kg)

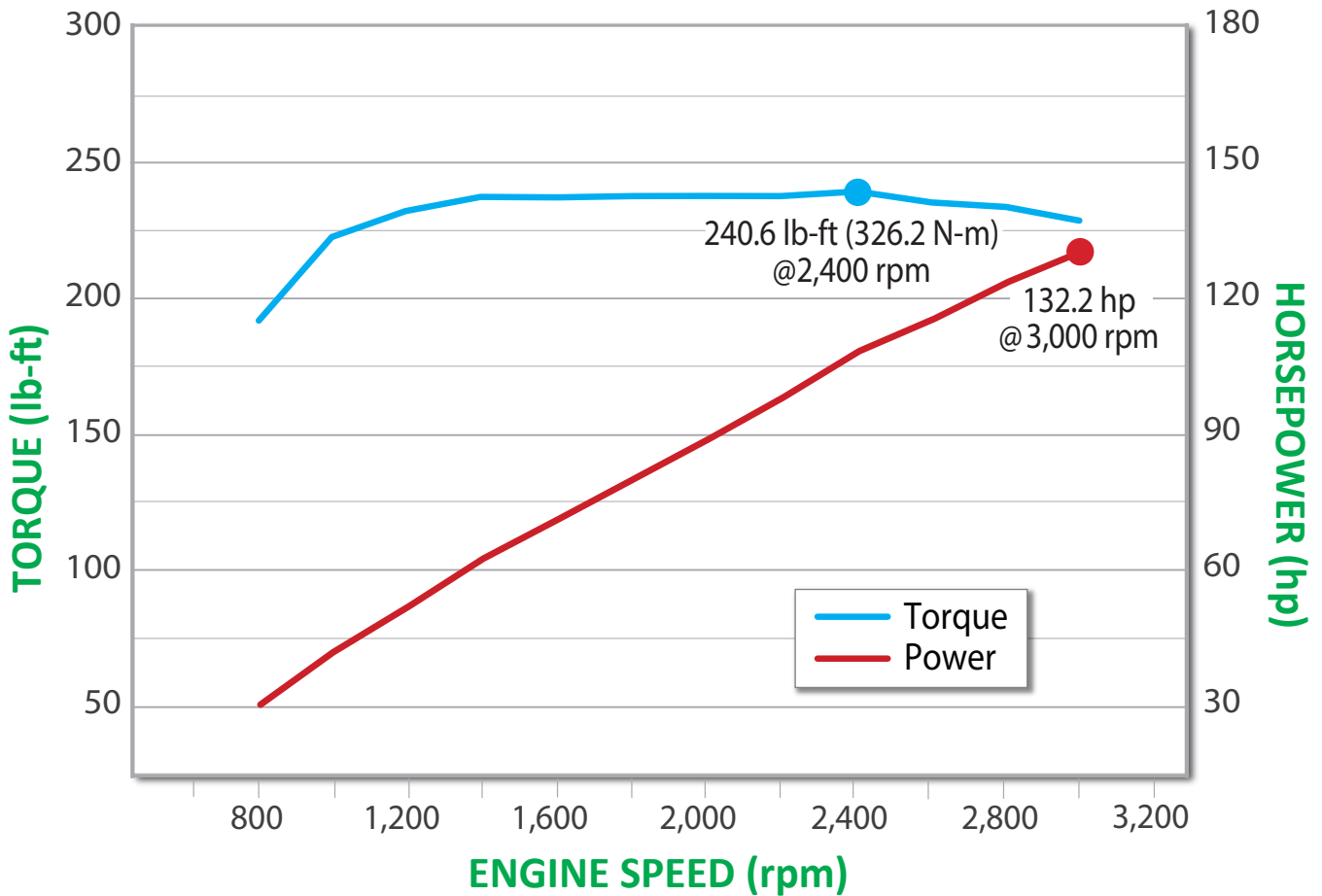


**POWER SOLUTIONS
INTERNATIONAL**

4.3L INDUSTRIAL MOBILE

132.2 hp / 240.6 lb-ft (LPG)

TORQUE & POWER CURVES Liquid Propane Fuel



POWERING A GREENER FUTURE

Power Solutions International 201 Mittel Drive, Wood Dale, IL 60191
T: 630-350-9400 • F: 630-350-9900 • psiengines.com